
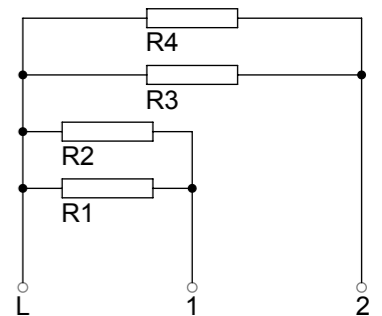

 11.33370.246
 2500W 400V
 12 145




voltage marking
 230 V without
 240 V blue
 400 V red
 other green

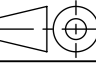
connection
 3 straps with clamp
 bracket and screws M5


earthing
 with connecting lug
 clamp bracket and
 screw M5

wiring diagram ⑦



Pos	Type	Wattage	Voltage	Rated conductor				Switch positions			Appro.
		W	V	R1	R2	R3	R4	3	2	1	 
4	11.33370.249	3000	230	750	750	750	750				X
3	11.33370.248	3000	400	750	750	750	750				X
2	11.33370.247	2500	230	625	625	625	625				X
1	11.33370.246	2500	400	625	625	625	625				X

9	A01455	2012-08-09	This document is exclusively committed to you for the agreed purpose. Any kind of duplication, utilization or communication of its content is prohibited, if not expressly conceded otherwise. Violators are committed to pay compensations. Any claims of existing or future property rights remain unaffected.				Blank No.	EN Mat.No.	Scale Unit
8	A01428	2012-07-31					Material		Scale 1:2
7	A01398	2012-06-13					Surface Texture ISO 1302		
6	CD0001	2010-12-15					General Tolerances		
5	A00468	2005-07-11	CAD	Date	Name		Designation		
4	A00336	2004-09-17					EGO Com. Hotplate 300x300		
3	EP1578	1997-11-05	Creat.	1992-10-19	CASALE				
Cha.	Information No.	Date	Proc.	2012-08-09	MAURERR				
F.Rel.			Rel.	2012-08-09	KRUEGERG				

		Drawing No.	Sh.No.	Ver.	Stat.	Sheets	Doc.	Ex.Doc.
		11.33370.24X	101	5	F			
Origin	Repl.for	Zchn.v.30.10.86	Repl.by	Ref.				